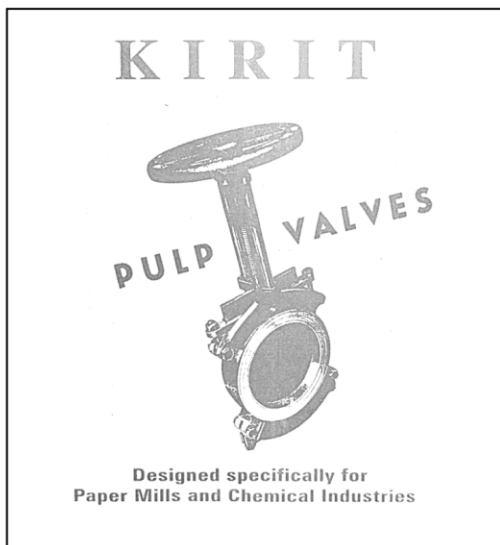


KIRIT INDUSTRIES

since 1959

Kirit II
Pulp Valve

PRODUCT DATA



FEATURES

- Stainless steel sliding Gates for long life-span
- Optimized characteristic for supply of paper pulp, petroleum, board mills and chemical industries.
- Protected against corrosion
- Reliable mounting options
- Wide range of flow rates

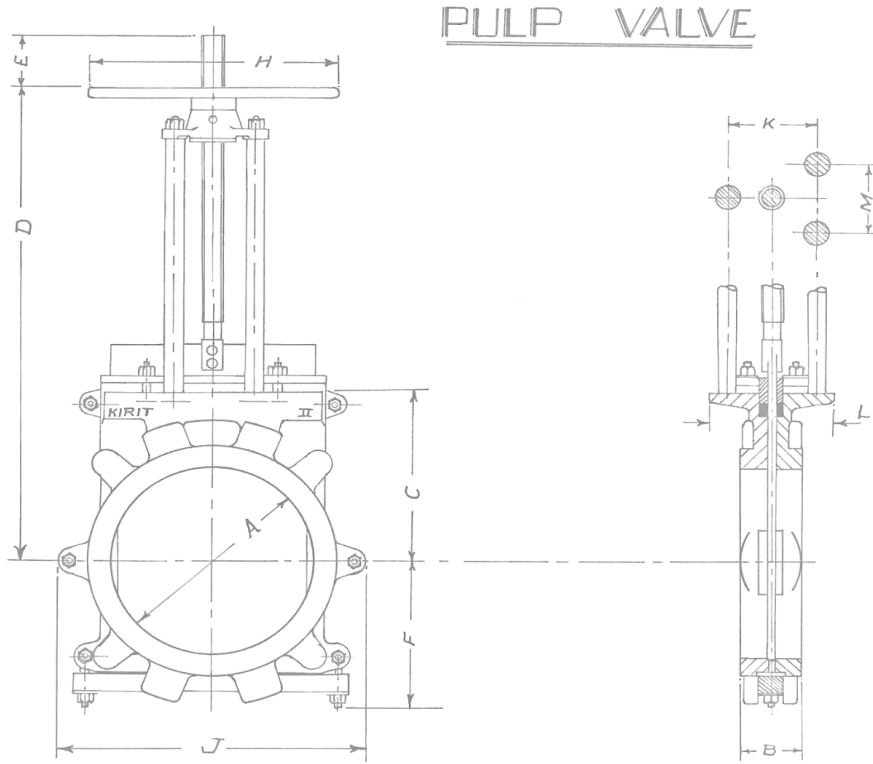
SPECIFICATIONS

Size range	2"-20"
Hydrolic pressure Standard seat test	30 to 150 PSI (2.0 to 10.3 bar)
Leakage rate	Zero allowable leakage
material body	Cast iron
Hand wheel	Cast iron
Spindle	M.S , S.S
Gate	S.S
Flow characteristic	equal percentage

APPLICATION

KIRIT II pulp valve also know as Gate Valves are designed for isolation, On-off and Throttling services in Paper and Pulp Industries, Power Plants, Steel Plants, Cement Plants, Sugar Industries, Chemical and Textile Processing Industries, Mining, Water and Sewage Plants to handle Slurries, Slag, Plug, and Fibrous Materials, Fly ash, Powders, Clean or Corrosive gases.

DIMENSIONS OF
KIRIT II PULP VALVE

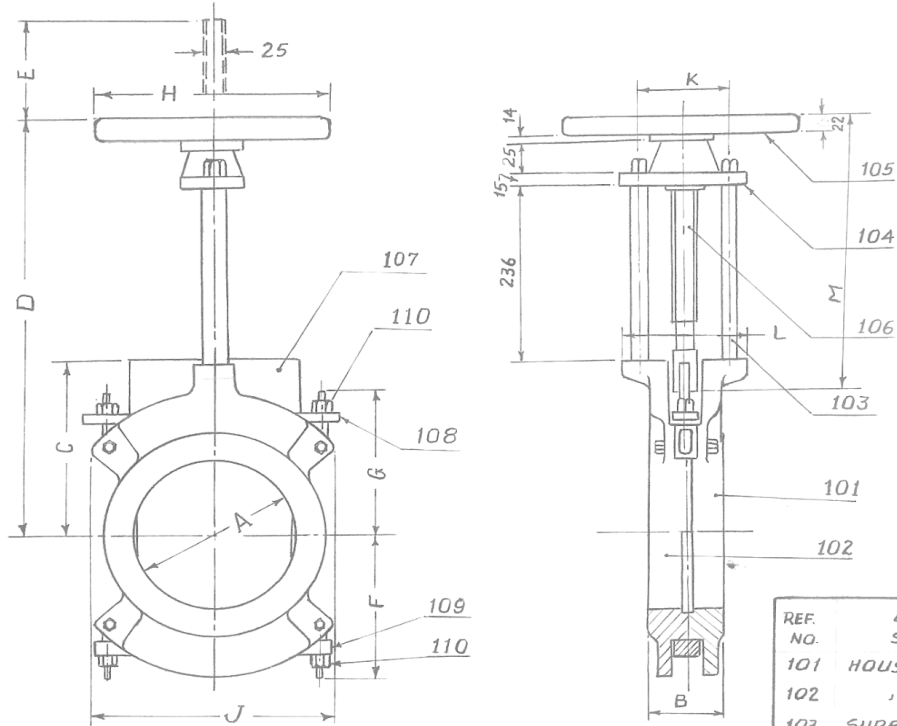


VALVE SIZE	A	B	C	D	E	F	H	J	K	L	M
250	250	76	230	650	250	200	320	390	110	160	100
300	300	80	255	720	300	225	320	440	110	160	100
350	350	96	290	810	350	255	375	440	110	160	100
400	400	100	320	890	400	280	375	500	110	160	100
450	450	106	345	1030	450	310	520	600	110	160	100

NOTE:- Dimensions are approximately in m.m.

**DIMENSIONS OF
KIRIT II PULP VALVE**

KIRIT II PULP VALVES



REF. NO.	DESCRIPTION OF SPARE PARTS
101	HOUSING 'A' INLET
102	" 'B' OUTLET
103	SUPPORTS
104	CROSS MEMBER
105	HAND WHEEL
106	SPINDLE
107	GATE
108	GLAND
109	CLEARING DOOR
110	NUTS & BOLTS

Valve size	A	B	C	D	E	F	G	H	J	K	L	M
50	50	62	150	300	62	120	130	225	120	80	112	182
65	65	62	138	317	85	130	140	225	132	80	112	197
80	80	62	136	333	108	140	140	225	148	80	115	212
100	100	64	170	365	110	150	150	225	175	80	118	228
125	125	66	175	395	135	160	160	225	185	80	130	250
150	150	68	190	422	160	145	145	225	242	80	132	280
200	200	72	210	520	220	170	190	280	285	110	160	335
250	250	76	305	645	260	190	275	315	360	110	150	380
300	300	80	330	715	305	215	300	315	405	110	160	425
350	350	96	360	800	350	240	330	375	460	110	165	475
400	400	100	392	878	405	268	362	375	520	110	175	525
450	450	106	415	960	455	300	385	520	600	110	175	575
500	500	110	440	1030	510	335	410	520	650	110	175	630

KIRIT II PULP VALVE

KIRIT INDUSTRIES

KIRIT INDUSTRIES

NEAR GHIYANAGAR,
OPP. UNION CO-OPERATIVE BANK,
NARODA GAM, -382330
AHMEDABAD, GUJRAT,
INDIA.
PH:- (O) +91-079- 22823126,0417
EMAIL:- kiritindustries59@gmail.com

As improvements are made time to time specifications are subject to alteration without notice